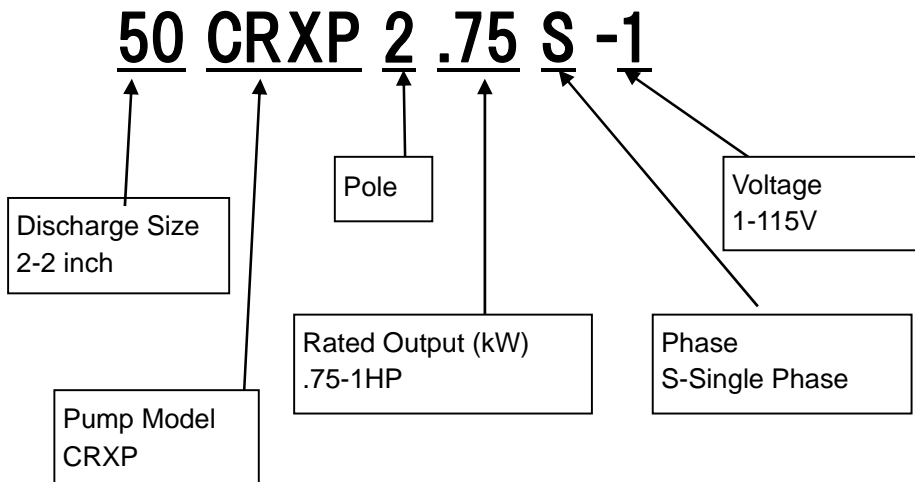


MODEL DESIGNATION

◆ Motor model



SPECIFICATIONS

Model : 50CRXP

	STANDARD	OPTIONAL
Discharge Size	2 inch	
Solid Size	1 inch (25mm)	
Range of HP	1 HP	
Range of Performance	Capacity Up to 160(Usqpm) Total Head 7 to 29(ft)	
Limitation		
Type of Liquid Handled	Sewage, Waste water	
Minimum Water Temperature	32 °F (0°C)	
Maximum Water Temperature	104 °F (40°C)	
Motor	Insulation Class E, Single Phase	
Voltage / Hz	115V 60Hz	
Synchronous Speed	3600 RPM	
Impeller Type	Non-Clog Two-Vane Impeller	
Material		
Pump Housing	Poly Amide Fiber Reinforced Resin	
Impeller	Poly Amide Fiber Reinforced Resin	
Shaft	420J2 Stainless Steel	
Motor Frame	304 Stainless Steel	
Fastener	304 Stainless Steel	
Mechanical Seal Materials	Double Mechanical seal	
Upper Side	Ceramic / Carbon	
Lower Side	Silicon Carbide / Silicon Carbide	
Bearing		
Upper Side	Single Deep Groove Ball Bearing (AC Bearing)	
Lower Side	Single Deep Groove Ball Bearing	
Motor Protection	Built-in Thermal Protector	
Accessory	Submersible Cable Type STW : 32ft	Longer Cable

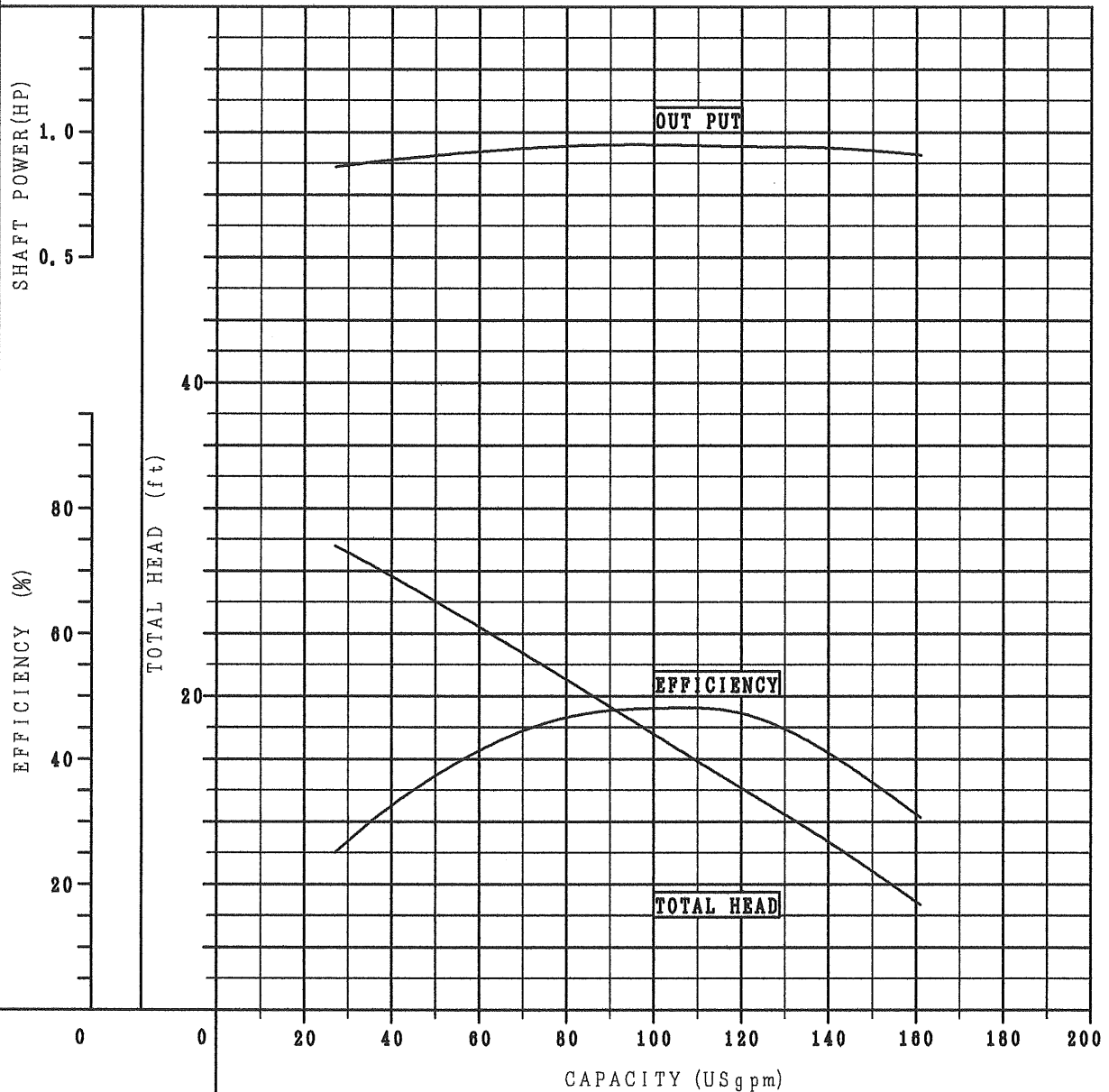
SPECIFICATIONS (OPERATING CONDITION)

- Applied Water quality

Temperature	0-104 °F, 0-40°C
pH	6 - 9
Electric Conductivity	100mS/m or less
DO (Dissolved Oxygen)	1 – 4 mg (O ₂)/ℓ
Chlorine Iron	1,000 mg/ℓ or less
SS	3,000 mg/ℓ or less
BOD, COD	1,000 mg/ℓ or less

MODEL : 50CRXP2.75S

BORE	OUT PUT		POLE	RPM	PHASE	VOLTAGE	HZ	RATED AMPERAGE	STARTING METHOD	INS. CLASS
	HP	kW								
2" (50mm)	1	0.75	2	3600	1	115	60	11.0	Capacitor Run	E



Performance with clear water and ambient temp Max. 40°C

TITLE

PERFORMANCE CURVE

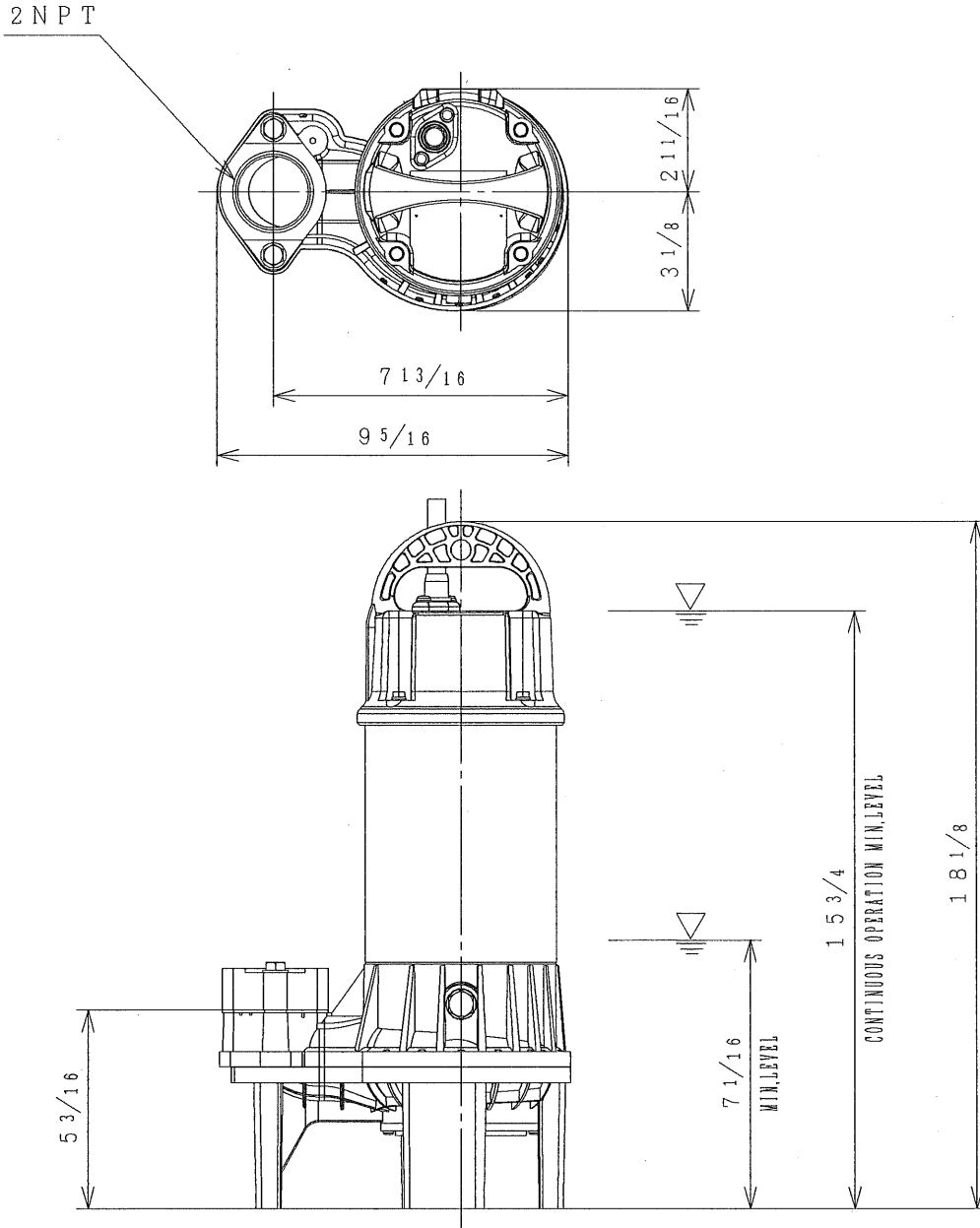
DWG No.

Y400674

STAND ALONE INSTALLATION TYPE PUMP DIMENSION

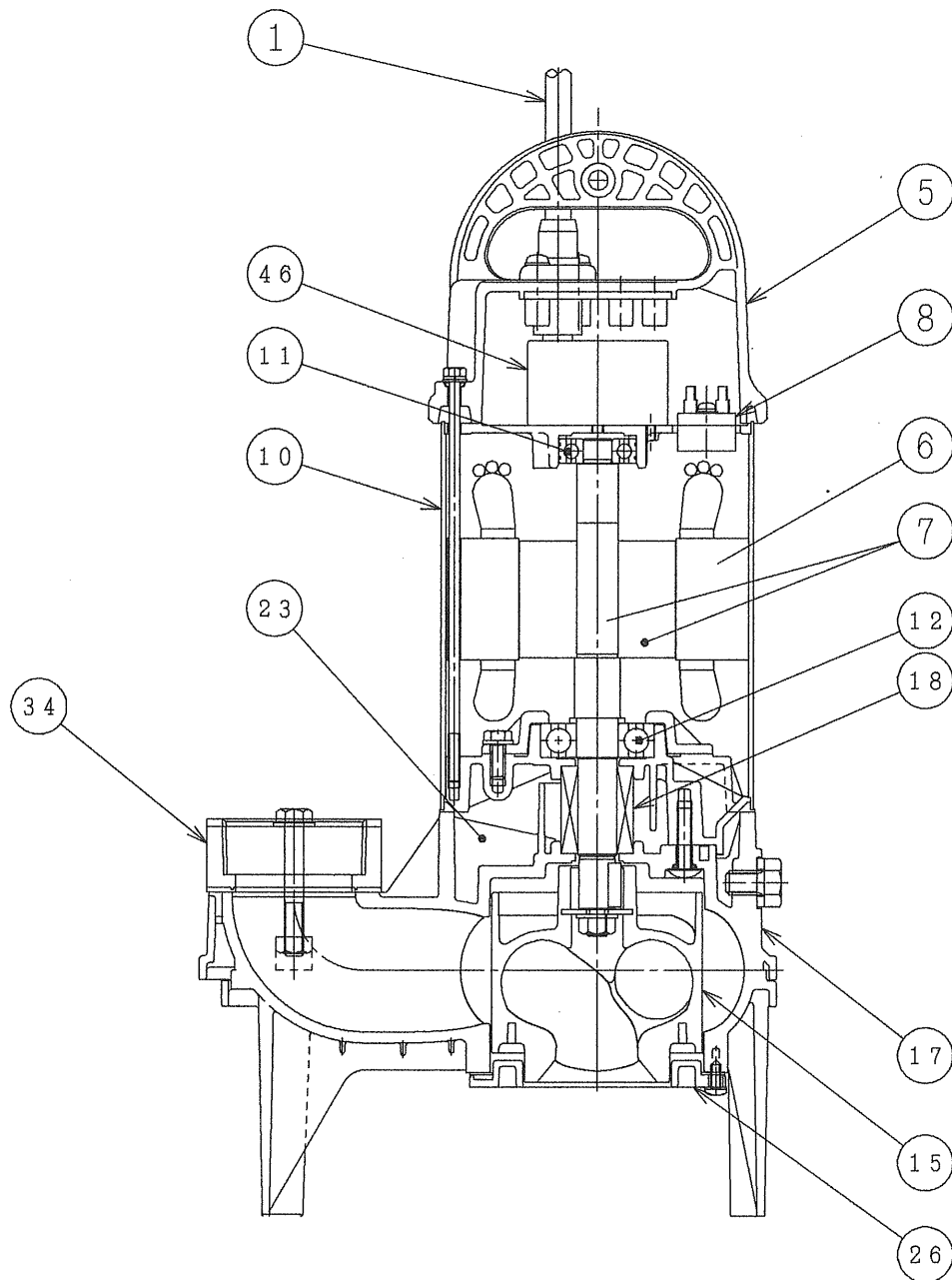
UNIT:inch

MODEL	RATED POWER (HP)	FREQ.
50CRXP2.75S	1	60



[Note] Limit operation to maximum 30 minutes in the event of operating the pump at the minimum water level.
Secure designated continuous operation minimum water level in the event of continuous operation.

製図 DWG.	Mimura	Sep-30-11	名称 TITLE	番 DWG No.
検図 JUDG.	A. Ando	Oct-3-11	PUMP DIMENSION	A 4 0 1 1 7 2
承認 APPD.	A. Ando	Oct-3-11		



				TITLE	DWG No.
				PUMP SECTION	A 4 0 2 0 6 7

MATERIALS LIST

No.	Denomination	Material
1	Cable (Power)	STW Polyvinylchloride Sheathed Cable
5	Motor Cover	PPS-G40 Engineering Plastic
6	Stator	_____
7	Rotor Assembly	Shaft=SUS420J2 Stainless Steel
8	Thermal Protector	_____
10	Stator Casing	SUS304 Stainless Steel
11	Ball Bearing (Upper)	_____
12	Ball Bearing (Lower)	_____
15	Impeller	PA-G30 Engineering Plastic
17	Pump Casing	PA-G40 Engineering Plastic
18	Mechanical Seal	Upper : Carbon/Ceramic Lower : SiC/SiC
23	Oil	Turbine Oil #32
26	Wearing Ring	PP Engineering Plastic
34	Flange	PP-G30 Engineering Plastic
46	Capacitor	43 μ F 220VAC

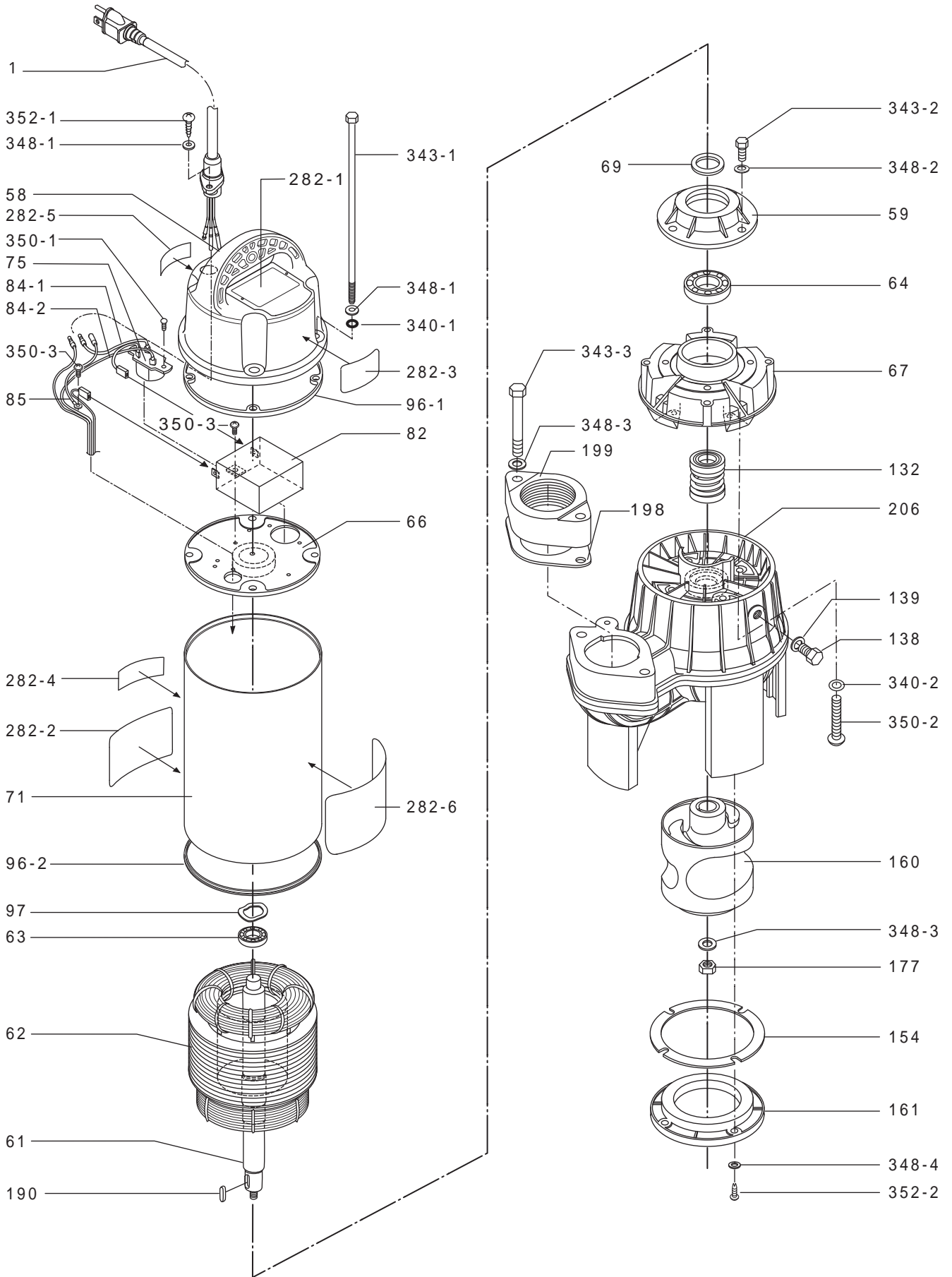
TITLE

MATERIALS LIST

DWG No.

A402068

50CRXP2.75S



Parts List

50CRXP2.75S

No.	Part name	Part No.	Qty	Note
			50CRXP2.75S	
1	Power Cable	L16590-E	1	
58	Motor Cover	D54054-A	1	
59	Bearing Holder	BK0467-A	1	
61	Rotor Assy	C60710-C	1	
62	Stator Assy	C60710-F	1	
63	Upper Bearing	S45702-A	1	
64	Lower Bearing	S63123-N	1	
66	Upper Bearing Bracket	C60621-A	1	
67	Lower Bearing Bracket	C60622-A	1	
69	Bearing Washer	A81578-C	1	
71	Stator Casing	---	1	included in 62
75	Auto-Cut (Thermal Protector)	SY3387-E	1	
82	Capacitor	AN5679-A	1	
84-1	Lead Wire	AV0652-B	1	
84-2		AV0651-A	1	
85	Ground Wire	P61441-A	1	
96-1	Packing	BK0470-A	1	
96-2		BK0471-A	1	
97	Wave Washer	A81592-D	1	
132	Mechanical Seal	S77873-A	1	
138	Check Plug	111S1016	1	
139	Gasket	A76511-A	1	
154	Gasket	AV3495-A	1	
160	Impeller	BK2588-A	1	
161	Wearing Ring	BK2540-A	1	
177	Impeller Nut	151S0800	1	
190	Parallel Key	A77598-B	1	
198	Flange Packing	A54639-A	1	
199	Flange	BK0622-B	1	
206	Pump Casing	BK0850-A	1	
282-1	Name Plate	BK0849-D	1	Cannot sell
282-2	Warning Label	BL8041-A	1	
282-3	Attention Label	A400880A	1	
282-4	Attention Label	AP6905-A	1	
282-5	Attention Label	AP6986-A	1	
282-6	NORUS XP Label	A400910A	1	
340-1	O Ring	1A-P5	4	
340-2		1A-P6	4	
343-1	Bolt	AV5408-A	4	
343-2		111B0616	3	
343-3		111S0855	2	
348-1	Washer	161S0500	6	
348-2		111B0616	3	
348-3		161S0800	3	
348-4		161S0400	4	
350-1	Screw	131P0412	2	
350-2		134S0625	4	
350-3	Screw (Sems)	127P0412	2	
352-1	Tapping Screw	140S0520	2	
352-2		140S0412	4	